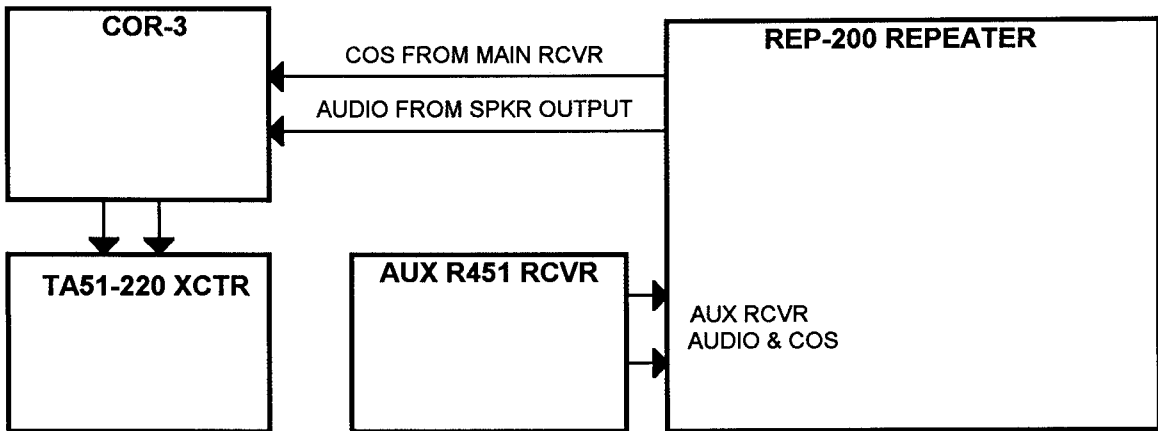
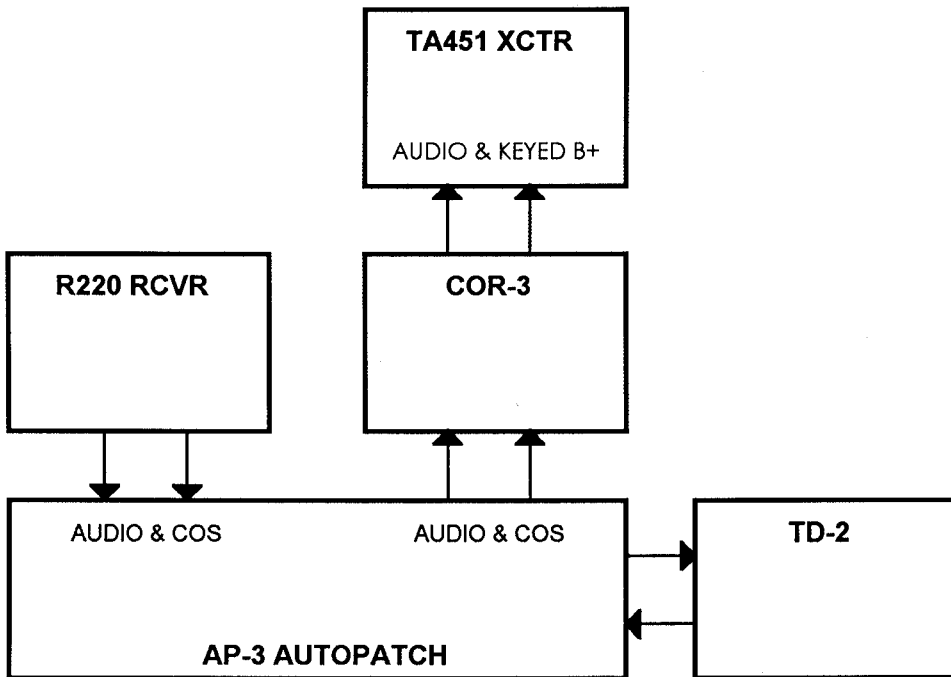


## REPEATER SITE



---

## REMOTE TELEPHONE SITE



This is a tentative layout of how to link an REP-200 Repeater with an autopatch at a remote site.

Set beep delay on COR-3 to about 1/2 second and tail time to zero so autopatch can turn around quickly between transmit and receive.